

BJC-5000

BJC-5100

PARTS

CATALOG

Canon

0698 SE 0.55-0

BJC-5000

BJC-5100

PARTS

CATALOG

Canon

Application

This manual has been issued by Canon Inc. for qualified person to learn technical theory, installation, maintenance, and repair of products. This manual covers all localities where the products are sold. For this reason, there may be information in this manual that does not apply to your locality.

Corrections

This manual could include technical inaccuracies or typographical errors due to improvements or changes in the products. When changes occur in applicable products or in the content of this manual, Canon will release technical information as the need arises. In the event of major changes in the contents of this manual over a long or short period. Canon will issue a new editions of this manual.

The following paragraph does not apply to any countries where such provisions are inconsistent with local law.

Trademarks

The product names and company names described in this manual are the registered trademarks of the individual companies.

Copyright

This manual is copyrighted with all rights reserved. Under the copyright laws, this manual may not be copied, reproduced or translated into another language, in whole or in part, without the written consent of Canon Inc.

Copyright © 1998 by Canon Inc.

CANON INC.

BJ Printer Technical Support Dept.

16-1, Shimonoge 3-chome, Takatsu-ku, Kawasaki-shi,
Kanagawa 213, Japan

DTP System

This manual was produced on an Apple® Power Macintosh® 7600/120 personal computer and Canon LBP-2030PS laser beam printer, final pages were printed on Valityper® 4300J. A Canon mo-5001S™ Magneto-optical Storage Subsystem with mo-502M™ Magneto-Optical Storage Disk Cartridge and mo-IF2™ Machintosh® interface kit were used for storing large volumes of page layout, graphic and parts list data for this manual.

Parts layout illustrations and Logotypes were created using MACROMEDIA® FreeHand® 7J.

Pattern drawing were scanned by EPSON® GT-8000 scanner with Adobe® photoshop®.

Documents and page layouts were created using QuarkXpress® 3.3J.

Parts lists were created using Helix Technologies® Herix Xpress® and converted to EPS files.

I. CONTENTS

- A. ILLUSTRATION INDEX
- B. PARTS LAYOUT & PARTS LIST
- C. SCREWS & WASHERS LIST
- D. TOOL
- E. NUMERICAL INDEX

II. ABOUT THIS MANUAL

A. ILLUSTRATION INDEX

For illustration index, the parts layout illustrations in this parts catalog are listed in abbreviated form in order of illustration number to identify the pages they appear on. To find an illustration of a part, see the ILLUSTRATION INDEX.

B. PARTS LAYOUT & PARTS LIST

Parts layout illustration

a) Parts search

Find a part from the parts layout illustration and find its key number from the parts list to identify the part number and name. For screws, nuts, washers, lock washers, pins, spacers, see SCREWS & WASHERS LIST.

Note: If parts have the same or similar shape but different specifications, their key number is assigned to several part numbers and names in the parts list.

b) Parts replacement procedure

To replace parts, the parts layout illustrations have figure numbers according to the disassembly procedure of the product. The parts that require careful work are shown the illustration.

Parts list

a) FIGURE & KEY No.

The FIGURE & KEY No. column corresponds to the key numbers assigned to the parts in the parts layout illustration.

It also corresponds to the part locations printed on the PC board.

b) PART NUMBER

The PART NUMBER column gives the part numbers corresponding to the key numbers. To order a part, indicate the part number clearly.

Note: Parts marked NPN are not service parts.

c) RANK

The service parts with N in the RANK column are order parts.

d) QTY

The QTY column gives the number of parts in the corresponding components layout illustration.

e) DESCRIPTION

The DESCRIPTION column gives the part names in English.

To order a part, indicate the part name, too.

C. SCREWS & WASHERS LIST

This is a list of screws, nuts, washers, lock washers, pins, and spacers.

The QTY column does not give the number of parts used.

D. TOOL LIST

This is a list of tools used for servicing products.

E. NUMERICAL INDEX

All the parts listed in this parts catalog are arranged in order of part number.

You can identify part locations and names from the NUMERICAL INDEX.

A. ILLUSTRATION INDEX

FIGURE 1 TRAY & AC ADAPTER

See Page
B - 1

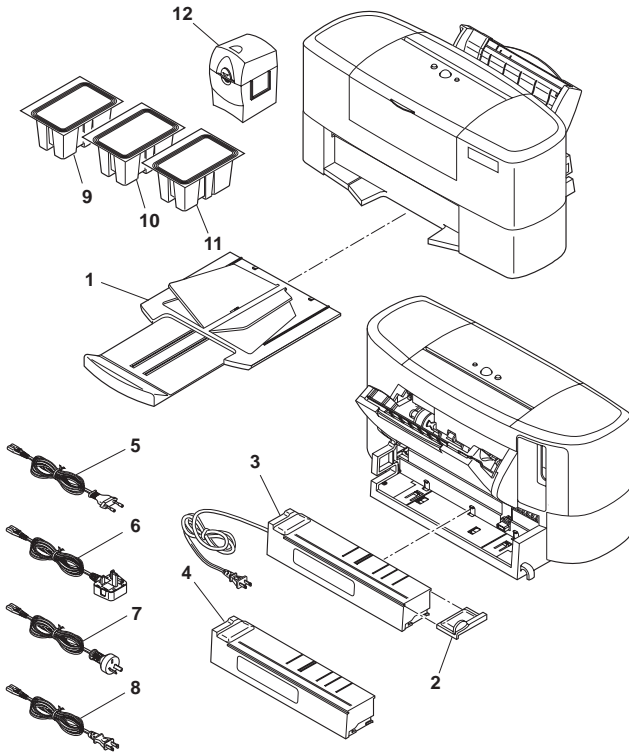


FIGURE 2 COVER

See Page
B - 3

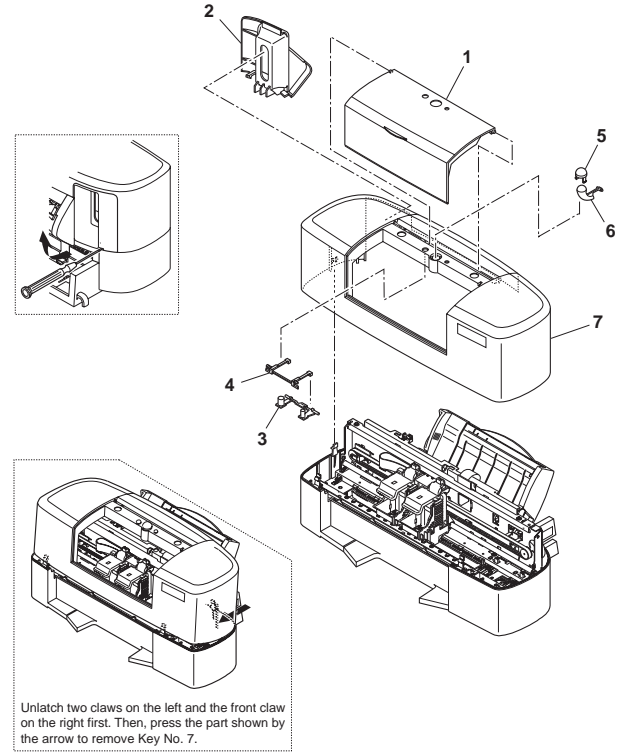


FIGURE 3 SHEET FEEDER UNIT

See Page
B - 5

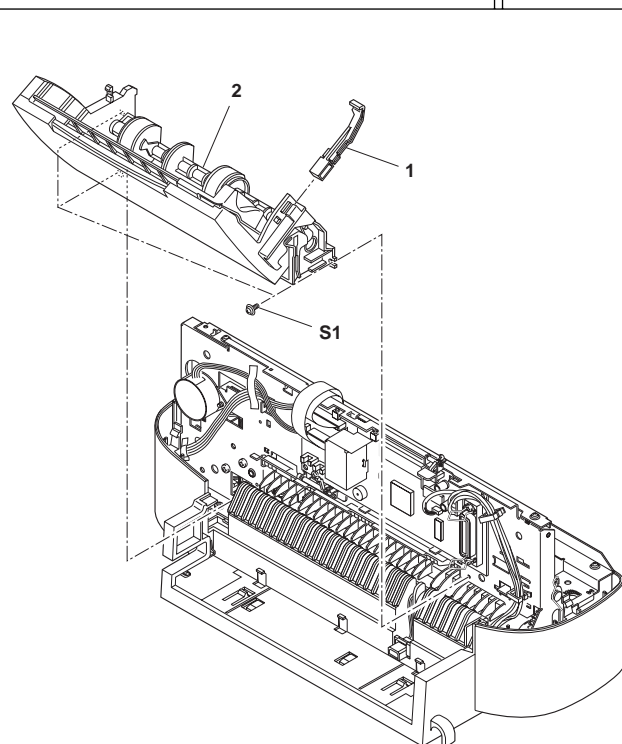


FIGURE 4 LOGIC BOARD & BOTTOM CASE

See Page
B - 7

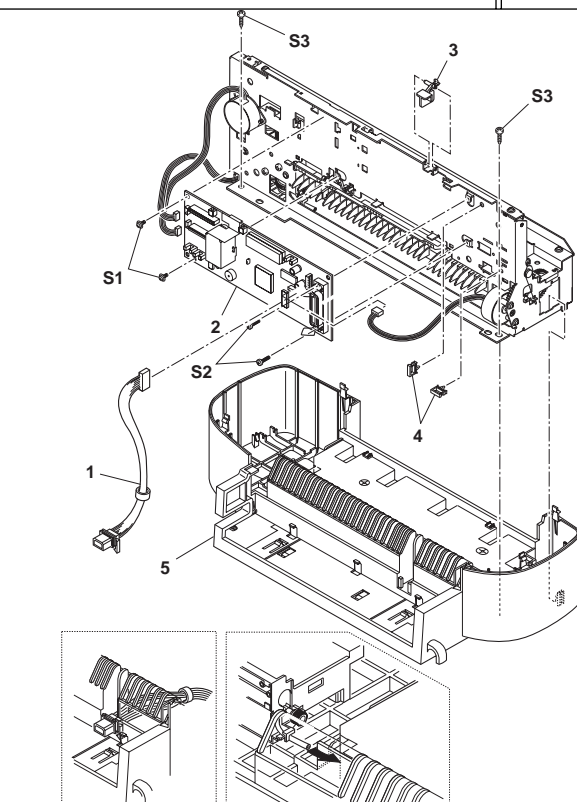


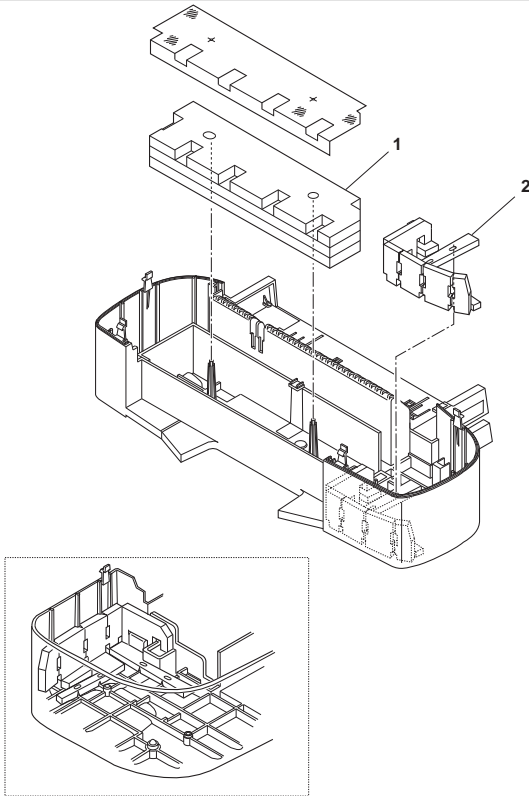
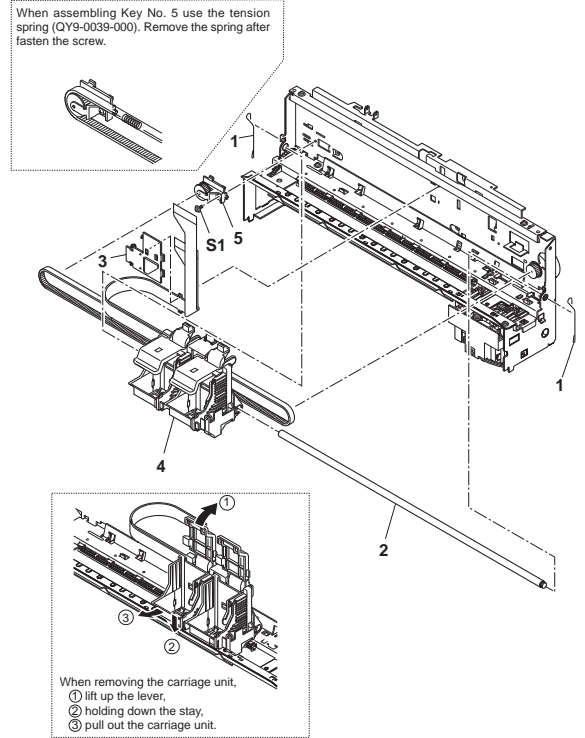
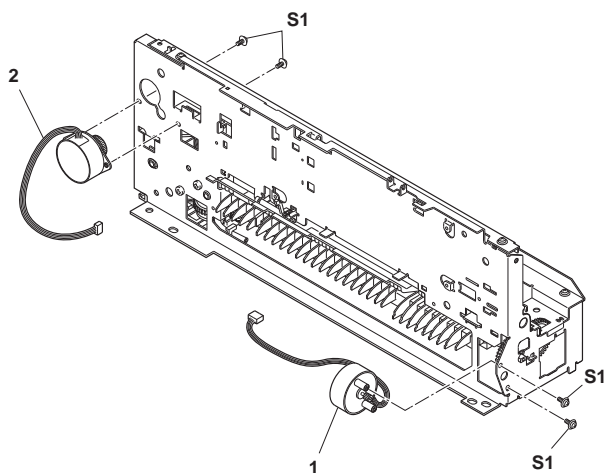
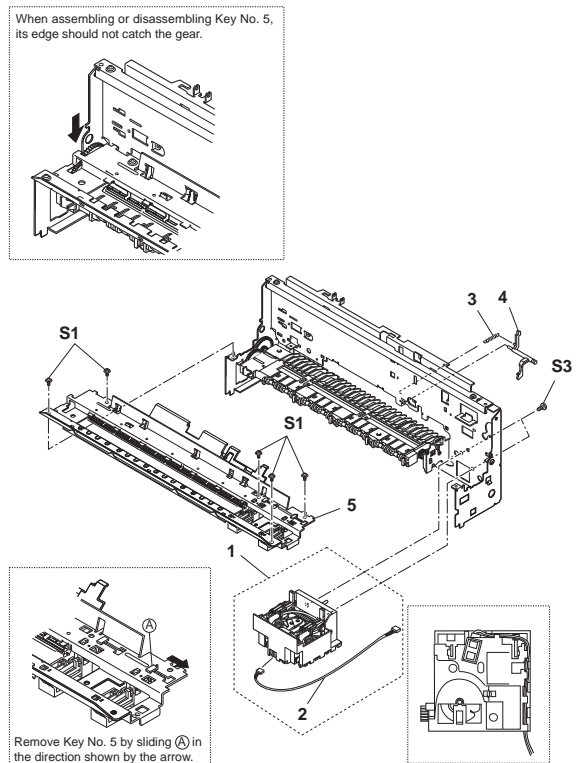
FIGURE 5**WASTE INK ABSORBER**See Page
B - 9**FIGURE 6****CARRIAGE UNIT**See Page
B - 11**FIGURE 7****MOTORS**See Page
B - 13**FIGURE 8****PURGE UNIT & STAY UNIT**See Page
B - 15

FIGURE 9 SPUR & WIPER UNIT

See Page
B - 17

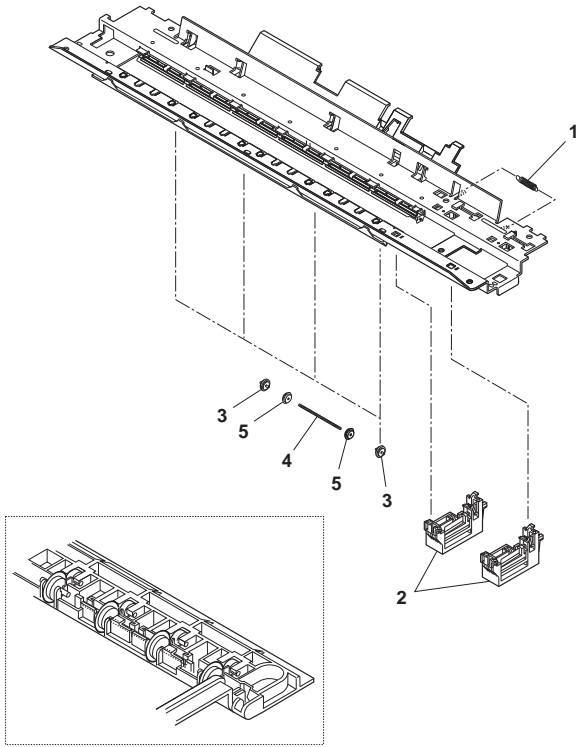


FIGURE 10 PLATEN UNIT

See Page
B - 19

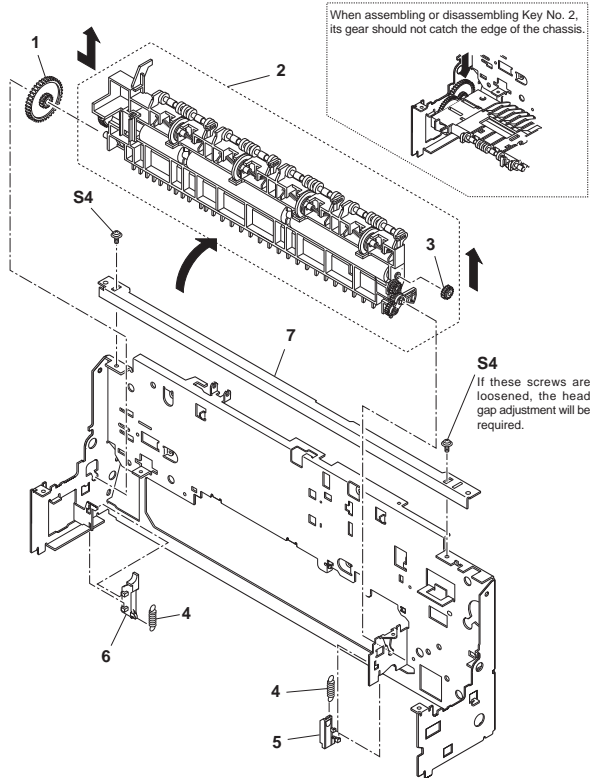


FIGURE 11 PICK-UP ROLLER

See Page
B - 21

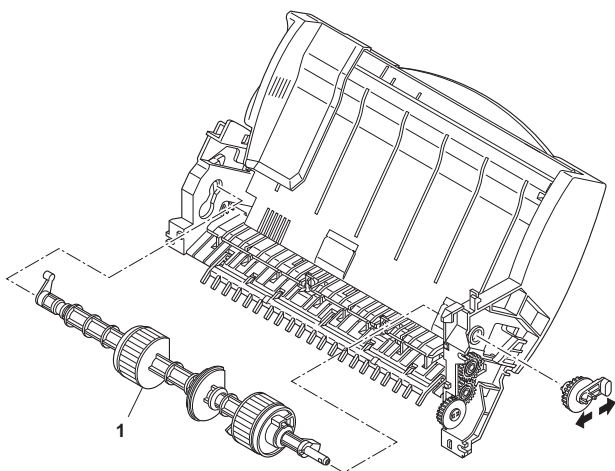


FIGURE 12 LOGIC BOARD COMPONENT

See Page
B - 23

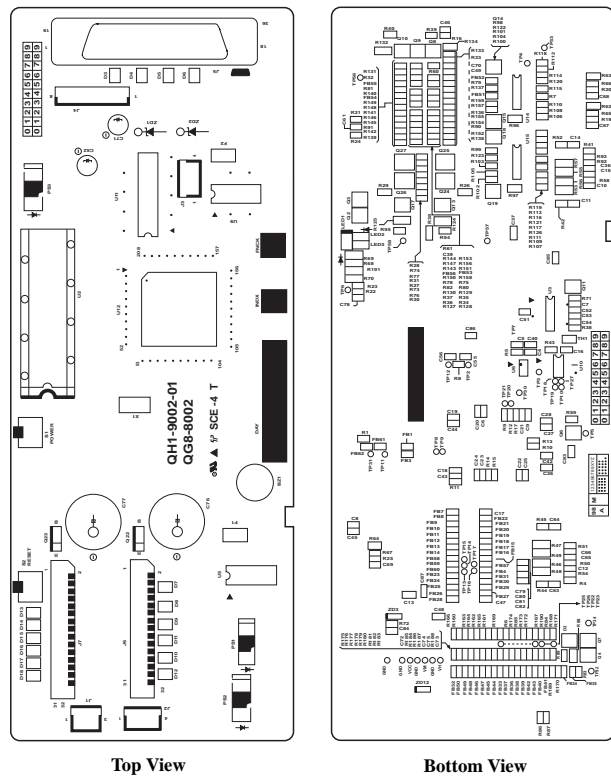
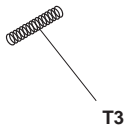
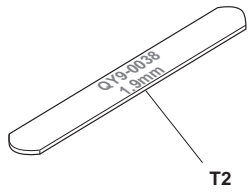
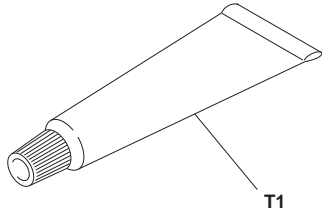


FIGURE 13 TOOL

See Page
D - 1



B. PARTS LAYOUT & PARTS LIST

FIGURE 1 TRAY & AC ADAPTER

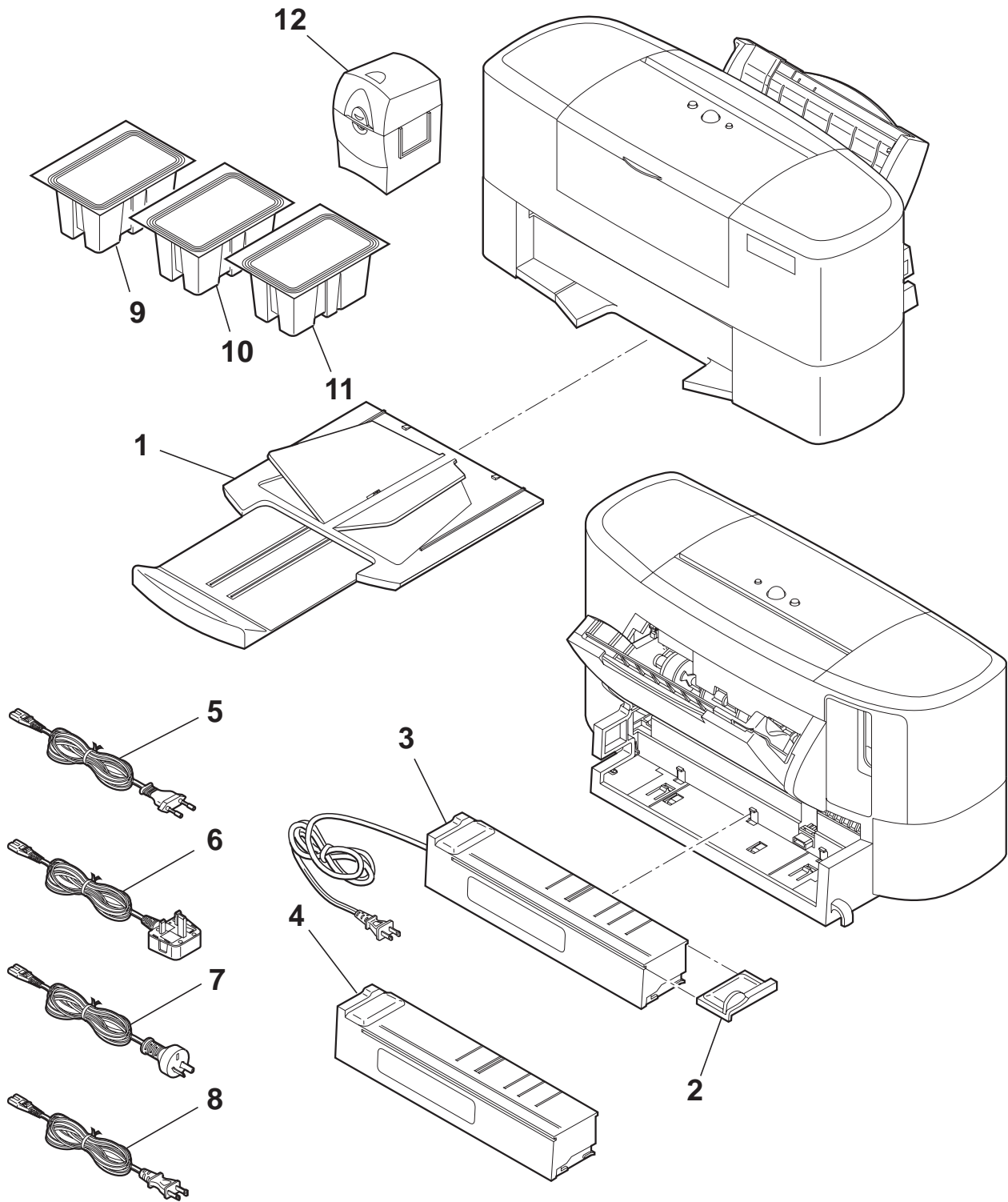
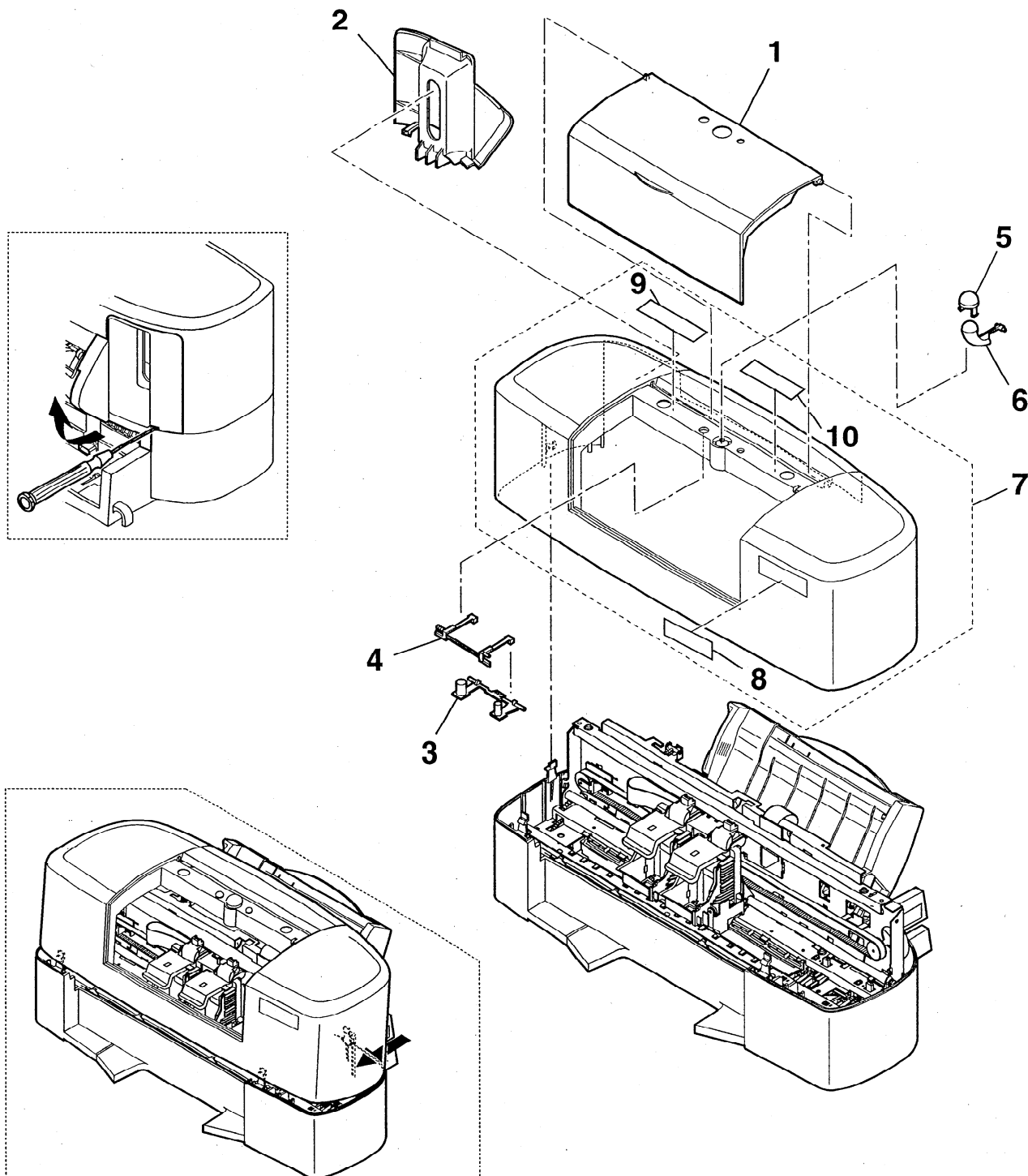


FIGURE & KEY NO.	PART NUMBER	RANK	QTY	DESCRIPTION	REMARKS
1- 1	QG8-0002-000		1	OUTPUT TRAY UNIT	
2	QA8-0066-000		1	GUIDE, PAPER	FOR BJC-5000
3	QH3-9001-000		1	AC ADAPTER: 120V 60HZ	
	QH3-9002-000		1	AC ADAPTER: 120V 60HZ	FOR BJC-5000
	QH3-9006-000		1	AC ADAPTER: 100V 50/60HZ	
4	QH3-9004-000		1	AC ADAPTER: 220-240V 50HZ	
5	WT3-5069-000		1	CORD, POWER	220V-240V
6	WT3-5061-000		1	CORD, POWER	220V-240V (UK)
7	WT3-5060-000		1	CORD, POWER	220V-240V (AUS)
8	WT3-5084-000		1	CORD, POWER	250V(CHN)
9	NPN		1	BLACK BJ CARTRIDGE PACK	CONSUMABLES
10	NPN		1	COLOR BJ CARTRIDGE PACK	CONSUMABLES
11	NPN		1	PHOTO BJ CARTRIDGE PACK	CONSUMABLES
12	NPN		1	BJ CARTRIDGE CONTAINER	OPTION

FIGURE 2 COVER



Unlatch two claws on the left and the front claw on the right first. Then, press the part shown by the arrow to remove Key No. 7.

FIGURE & KEY NO.	PART NUMBER	RANK	QTY	DESCRIPTION	REMARKS
2- 1	QF8-0001-000		1	FRONT COVER ASS'Y	FOR BJC-5000
	QF8-0001-010		1	FRONT COVER ASS'Y	FOR BJC-5100
2	QA8-0001-000		1	COVER, CONNECTOR	FOR BJC-5000
	QA8-0085-000		1	COVER, CONNECTOR	FOR BJC-5100
3	QA8-0014-000		1	BUTTON, PUSH	FOR BJC-5000
	QA8-9013-000		1	BUTTON, PUSH	FOR BJC-5100
4	QA8-0015-000		1	BAR, BUTTON	
5	QA8-0067-000		1	CAP, INDICATOR	
6	QA8-0013-000		1	GUIDE, INDICATOR	
7	QF8-0002-000		1	UPPER COVER ASS'Y	FOR BJC-5000
	QF8-0015-000		1	UPPER COVER ASS'Y	FOR BJC-5100
8	QA8-0017-000		1	PLATE, PRODUCT NAME	FOR BJC-5000
	QA8-0118-000		1	PLATE, MODEL NAME	FOR BJC-5100
9	QA8-0004-000		1	LABEL	FOR BJC-5000
10	QA8-0073-000		1	LABEL, INK TANK REPLACE	FOR BJC-5000

FIGURE 3 SHEET FEEDER UNIT

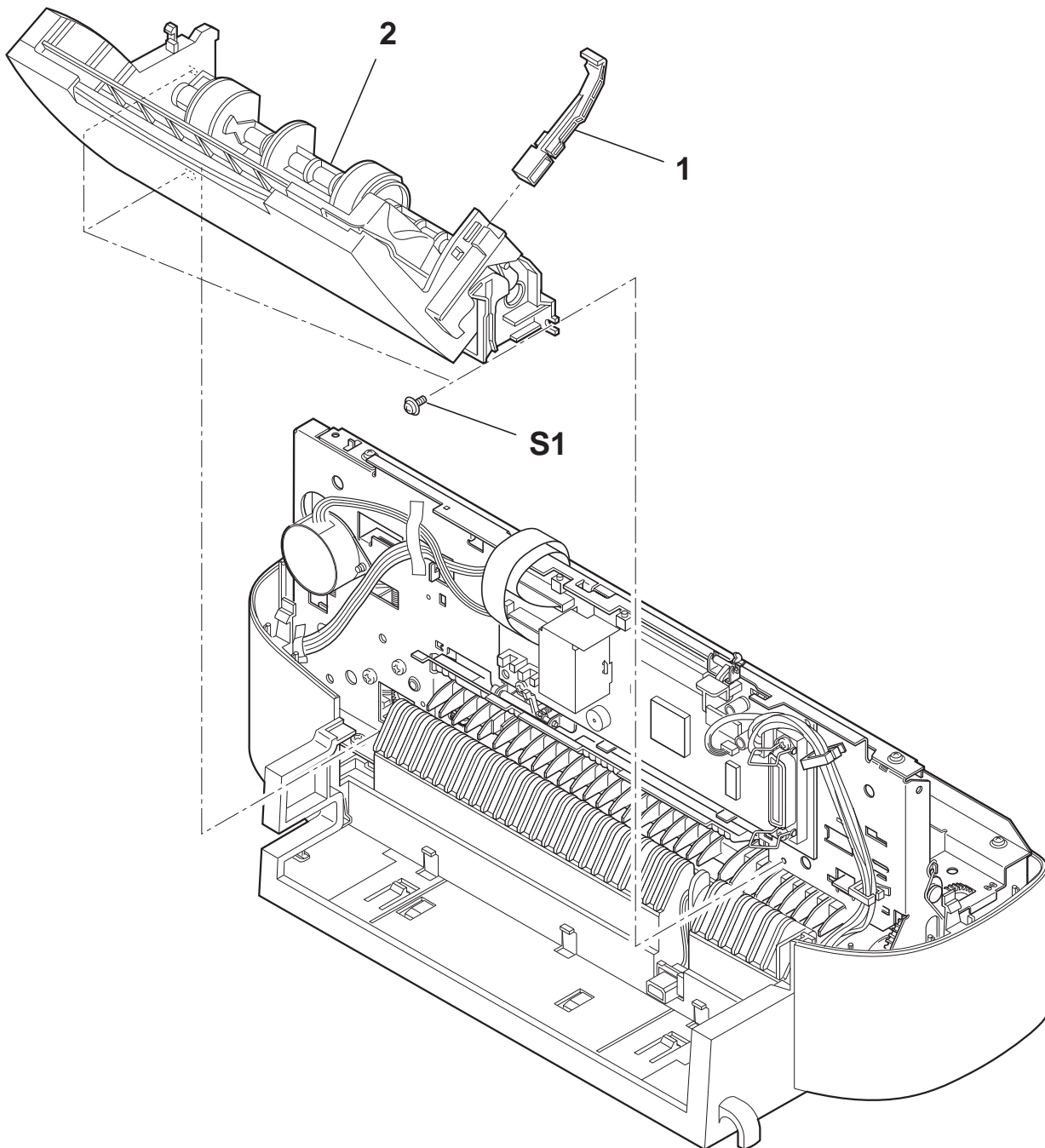


FIGURE & KEY NO.	PART NUMBER	R A N K	Q T Y	DESCRIPTION	REMARKS
3- 1 2	QB1-2494-000 QG8-0015-000 QG8-9003-000		1 1 1	HOLDER, SHEET FEEDER SHEET FEEDER UNIT SHEET FEEDER UNIT	FOR BJC-5000 FOR BJC-5100

FIGURE 4 LOGIC BOARD & BOTTOM CASE

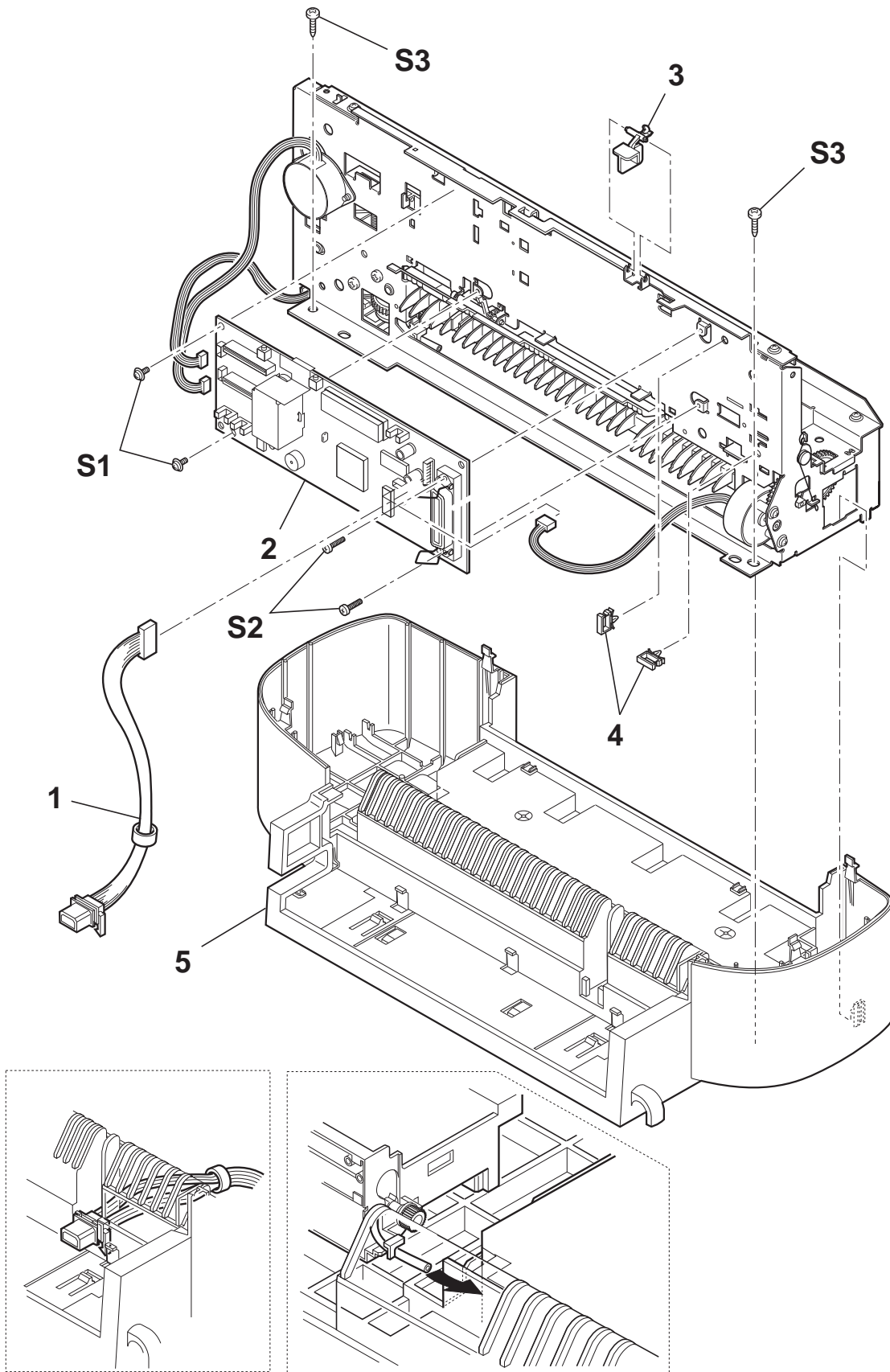


FIGURE & KEY NO.	PART NUMBER	RANK	QTY	DESCRIPTION	REMARKS
4- 1 2 3	QH2-9002-000		1	CABLE, POWER SUPPLY	FOR USA/CANADA
	QH2-9003-000		1	CABLE, POWER SUPPLY	FOR OTHER
	QG8-8002-020		1	LOGIC BOARD ASS'Y	FOR BJC-5000
	QG8-8011-000		1	LOGIC BOARD ASS'Y	FOR BJC-5100
	QA8-0025-000		1	ARM, COVER SENSOR	
4 5	QA8-0077-000		2	CLAMP, CABLE	
	QG8-0001-000		1	BOTTOM CASE UNIT	FOR BJC-5000
	QG8-0023-000		1	BOTTOM CASE UNIT	FOR BJC-5100

FIGURE 5 WASTE INK ABSORBER

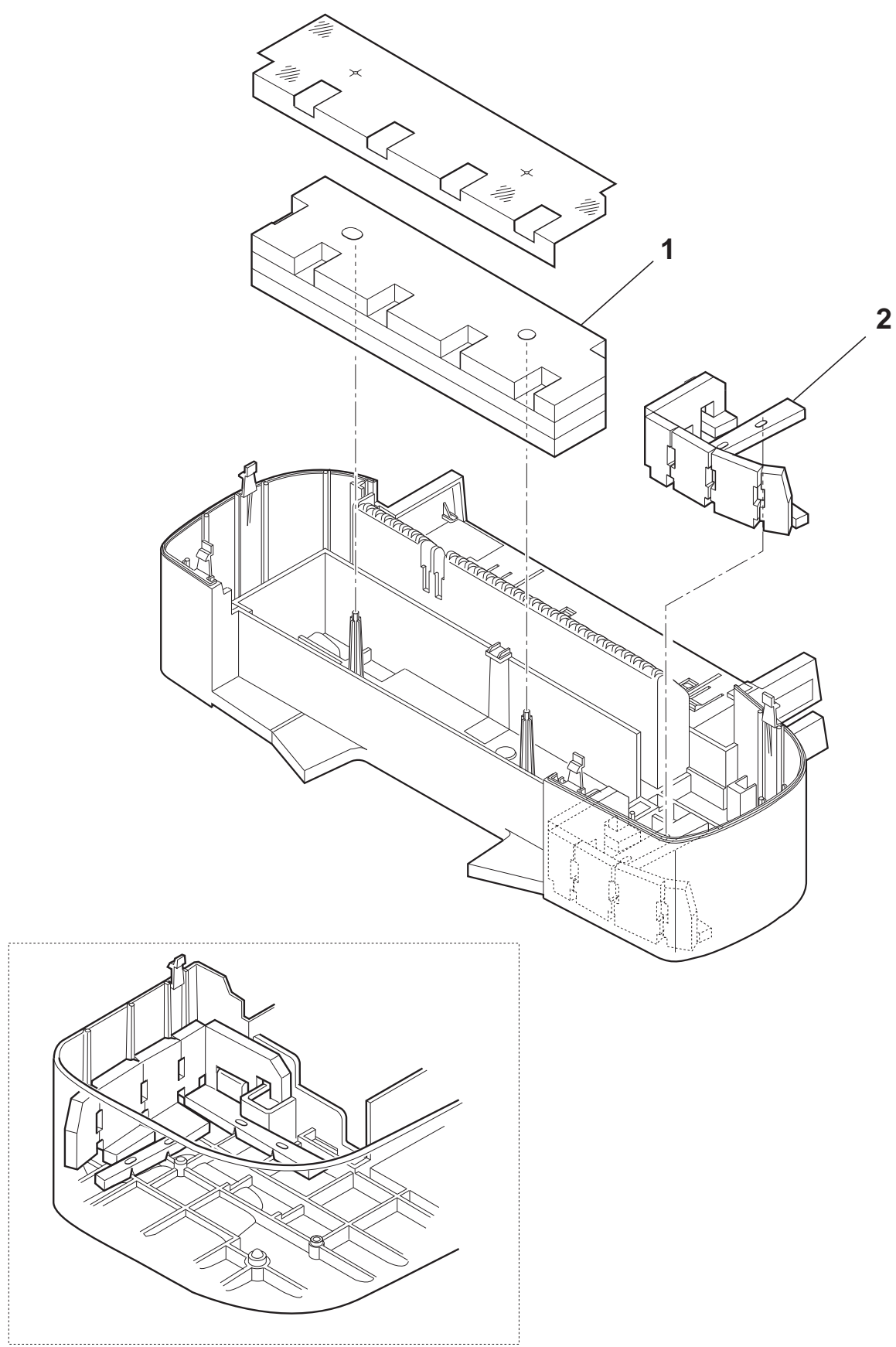
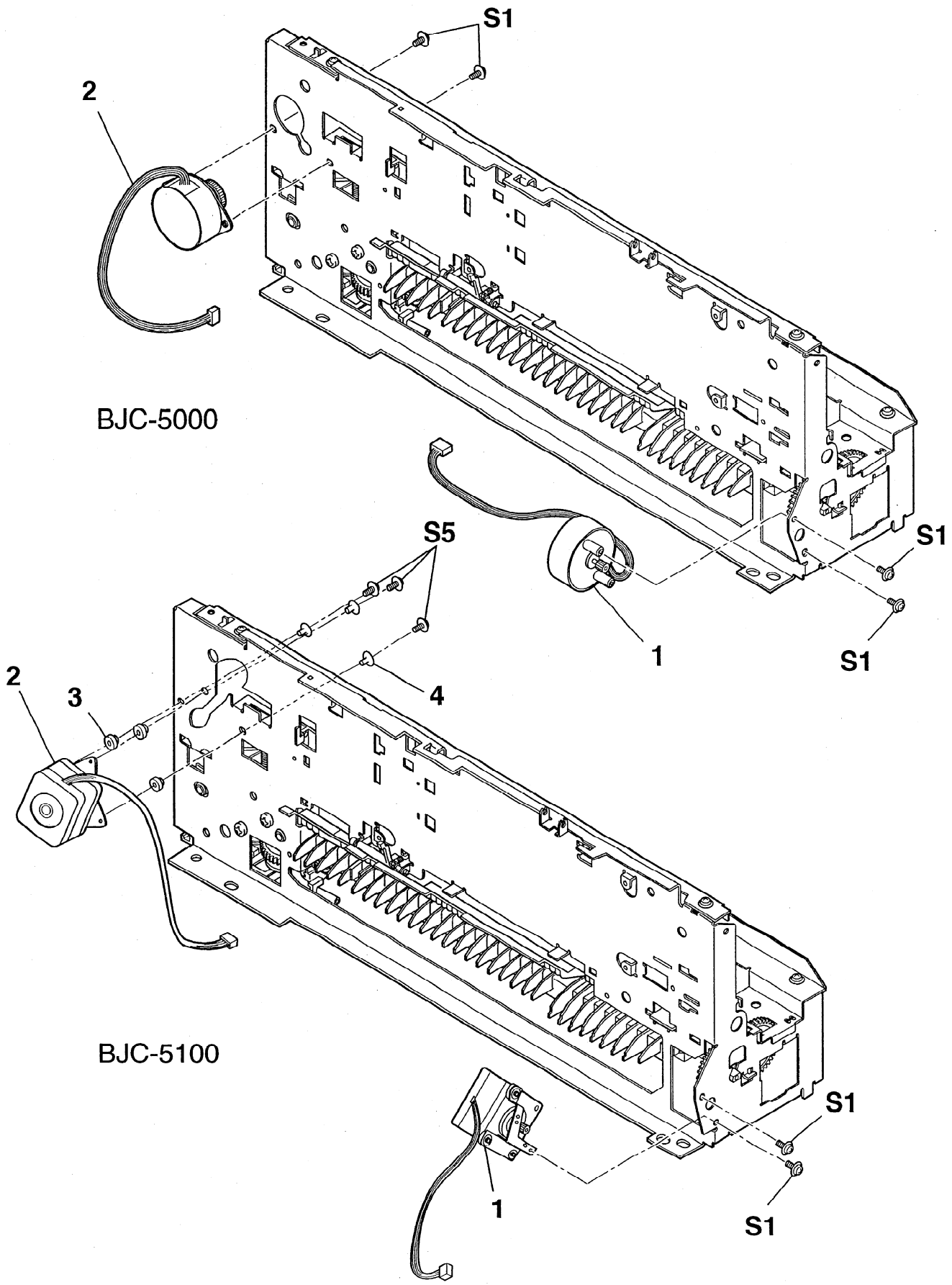


FIGURE & KEY NO.	PART NUMBER	RANK	QTY	DESCRIPTION	REMARKS
6- 1	QB1-2415-000		1	CLIP, SHAFT	
1-1	QA8-0125-000		1	CLIP, SHAFT(L)	FOR BJC-5100
	QB1-2415-000		1	CLIP, SHAFT	FOR BJC-5000
2	QA8-0019-000	N	1	SHAFT, CARRIAGE	FOR BJC-5000
	QA8-0126-000	N	1	SHAFT, CARRIAGE	FOR BJC-5100
3	QA8-0018-000		1	HOLDER, CABLE	
4	QG8-0008-000		1	CARRIAGE UNIT	FOR BJC-5000
	QG8-9002-000		1	CARRIAGE UNIT	FOR BJC-5100
5	QF8-0003-000		1	IDLER PULLEY ASS'Y	
6	QA8-0123-000		1	SPACER, PLASTIC	FOR BJC-5100
7	QA8-0048-000		1	HOLDER, BELT	
8	QA8-0046-000		1	BELT, CARRIAGE	

FIGURE 7 MOTORS

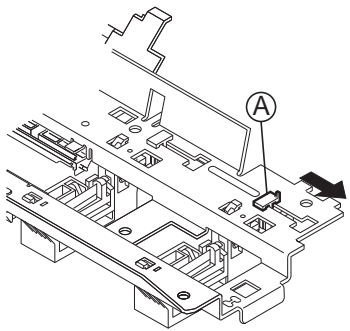
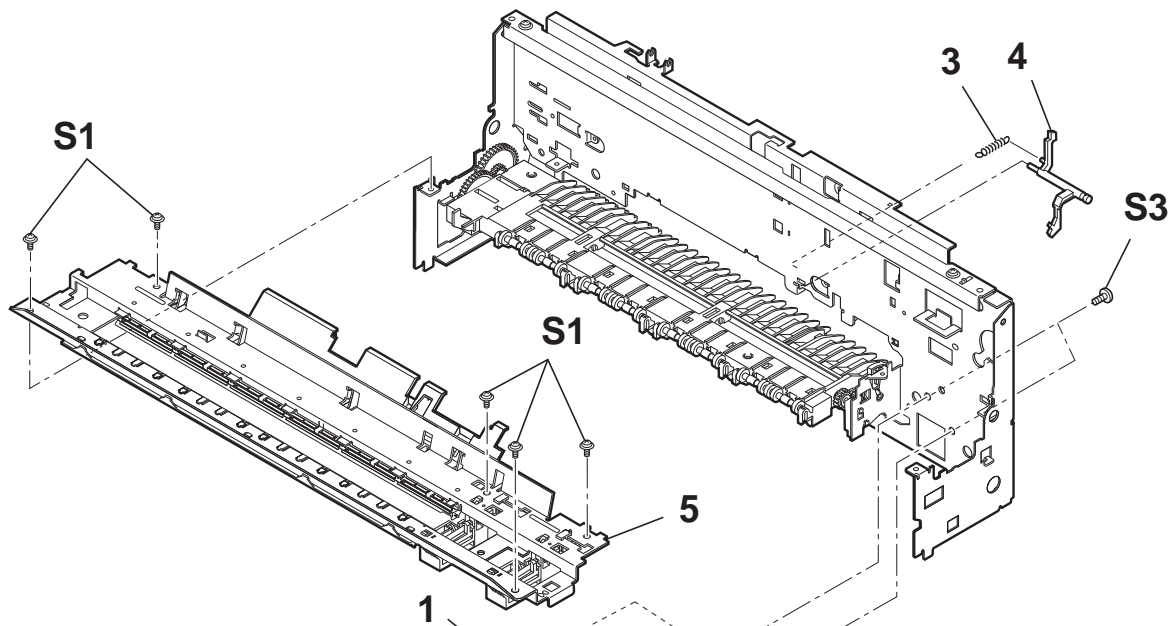
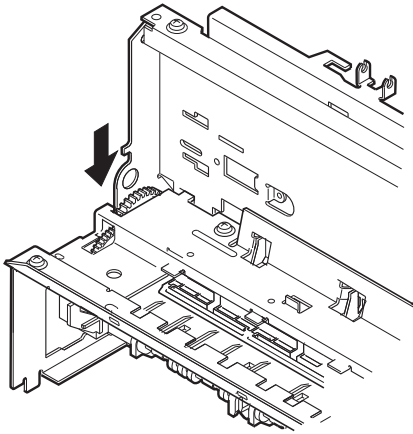


BJC-5000

BJC-5100

FIGURE 8 PURGE UNIT & STAY UNIT

When assembling or disassembling Key No. 5, its edge should not catch the gear.



Remove Key No. 5 by sliding **A** in the direction shown by the arrow.

FIGURE & KEY NO.	PART NUMBER	RANK	QTY	DESCRIPTION	REMARKS
8- 1	QG8-0011-000		1	PURGE UNIT	FOR BJC-5000
	QG8-0011-010		1	PURGE UNIT	FOR BJC-5100
	2 QH2-9001-000		1	PG SENSOR CABLE ASS'Y	
	3 QS5-2045-000		1	SPRING, HOOK END COIL	
4	QA8-0088-000		1	LEVER, SENSOR	
5	QG8-0005-000		1	STAY UNIT	FOR BJC-5000
	QG8-9001-000		1	STAY UNIT	FOR BJC-5100

FIGURE 9 SPUR & WIPER UNIT

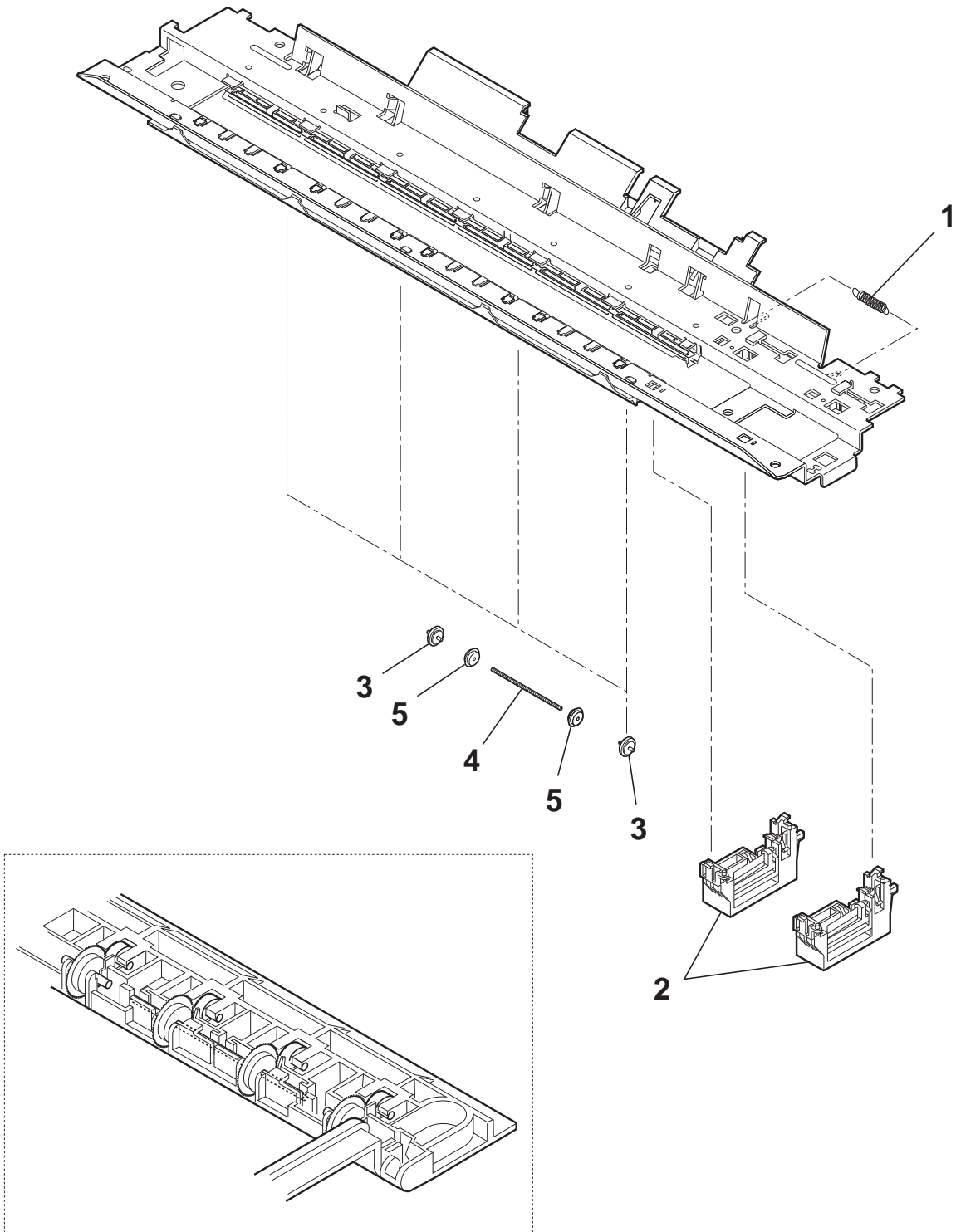


FIGURE & KEY NO.	PART NUMBER	R A N K	Q T Y	DESCRIPTION	REMARKS
9- 1 2 3 4 5	QA8-8514-000 QG8-0007-000 QA8-0068-000 QA8-8513-000 QB1-0841-000		1 2 8 4 8	SPRING, HOOK END COIL WIPER UNIT SPUR SHAFT, SPRING SPUR	

FIGURE 10 PLATEN UNIT

When assembling or disassembling Key No. 2, its gear should not catch the edge of the chassis.

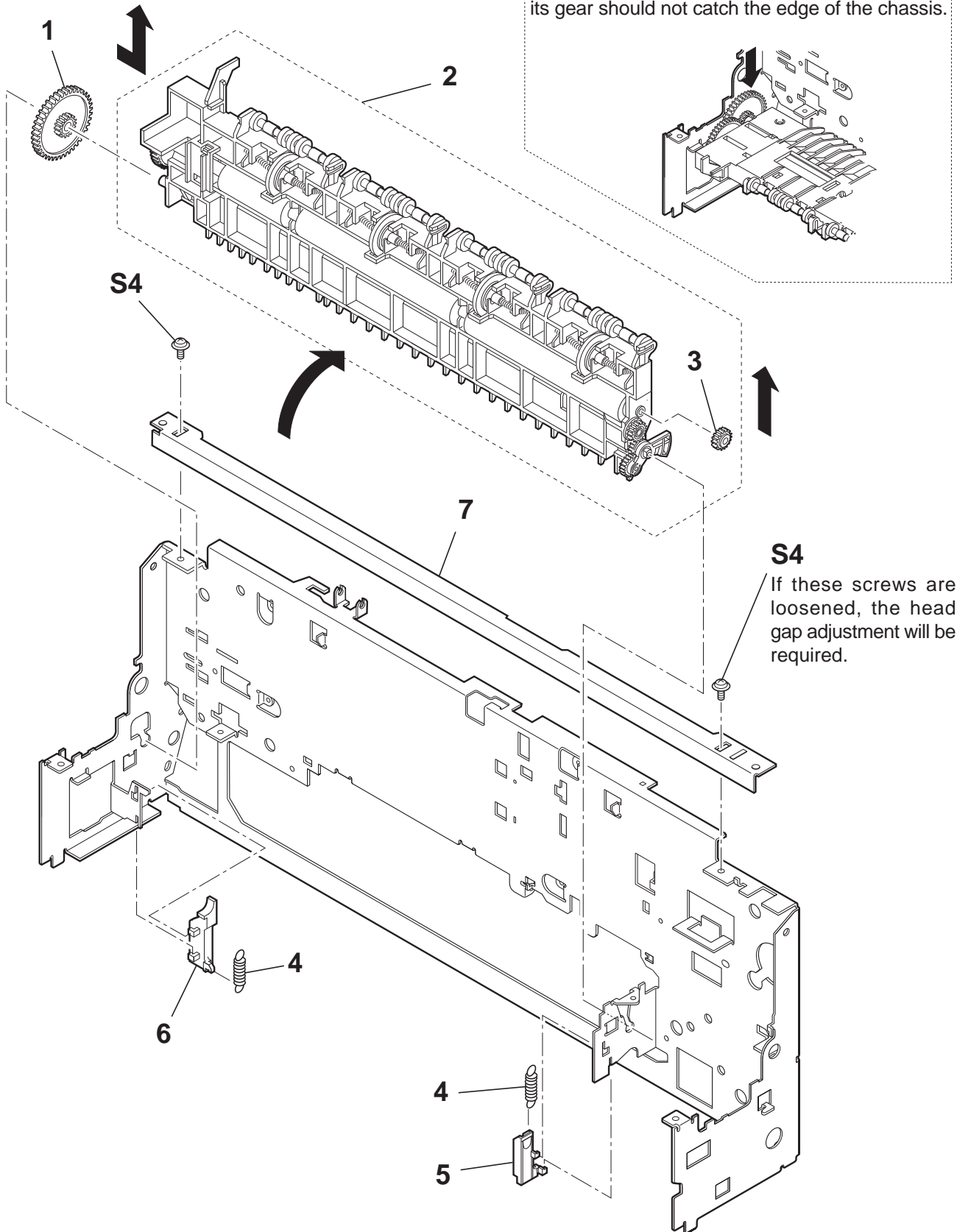


FIGURE & KEY NO.	PART NUMBER	RANK	QTY	DESCRIPTION	REMARKS
10- 1	QA8-8001-000		1	GEAR, SLOW DOWN	FOR BJC-5000 FOR BJC-5100
2	QG8-0010-000		1	PLATEN UNIT	
	QG8-0022-000		1	PLATEN UNIT	
3	QS5-0040-000		1	GEAR, TRANSMISSION	
4	QS5-2046-000		2	SPRING, HOOK END COIL	
5	QB1-2406-020		1	HOLDER, SHAFT	
6	QA8-0022-000		1	HOLDER, SHAFT	
7	QA8-0020-000	N	1	FRAME, CARRIAGE GUIDE	

FIGURE 11 PICK-UP ROLLER

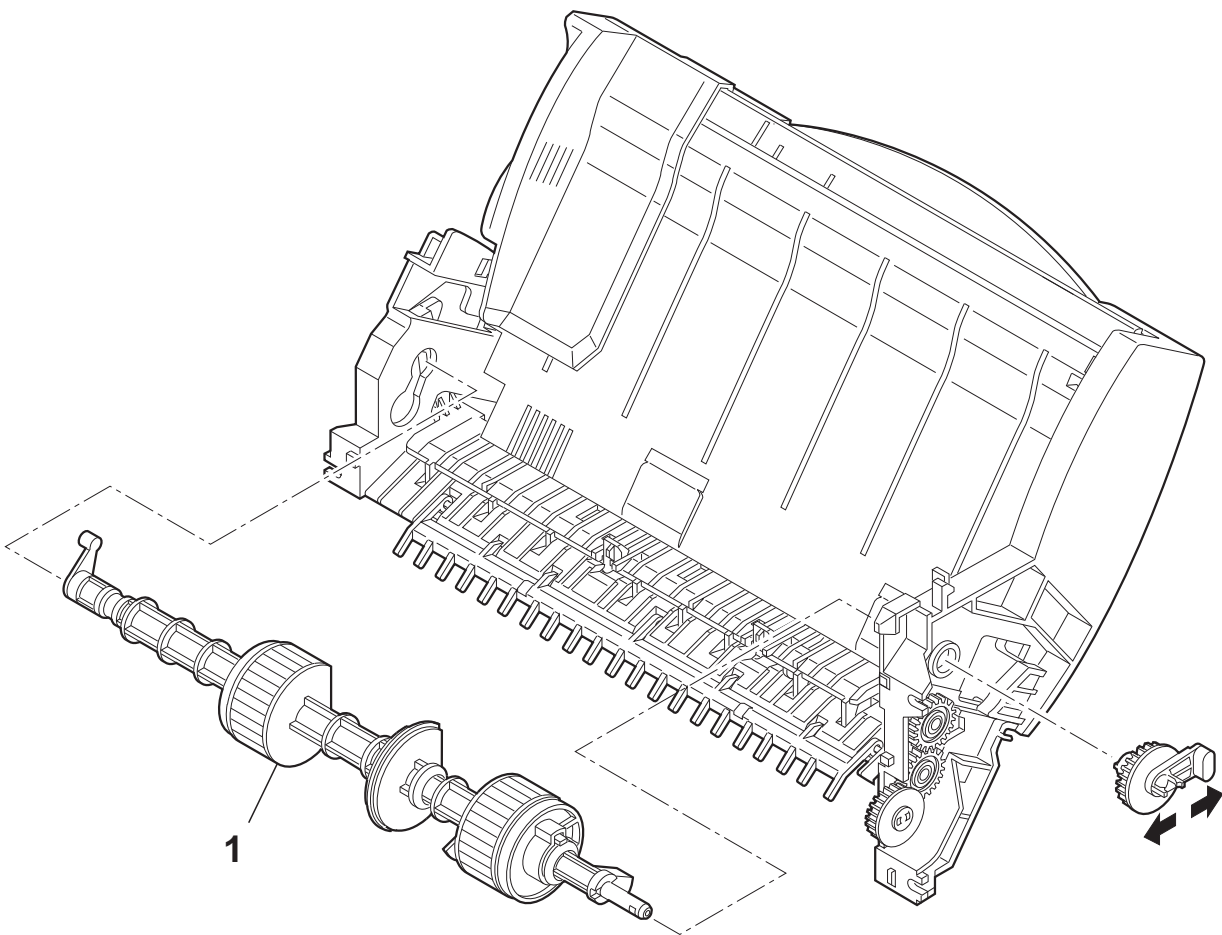
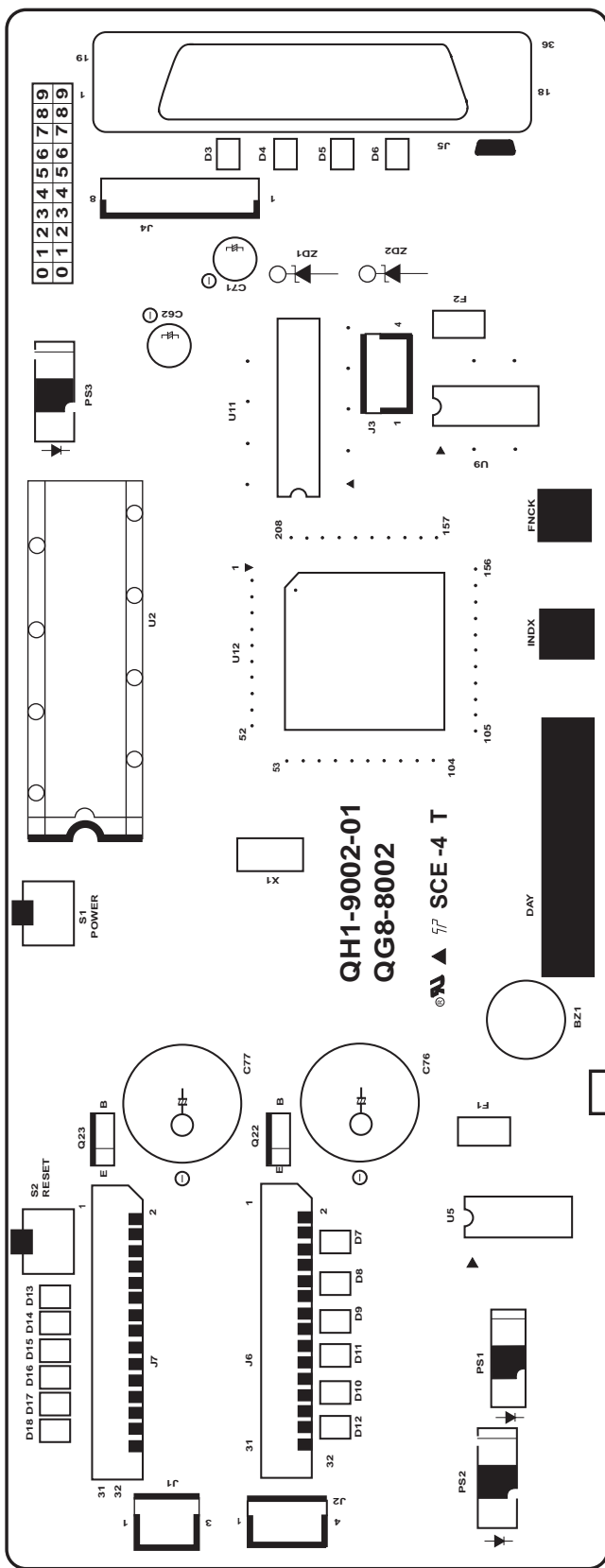
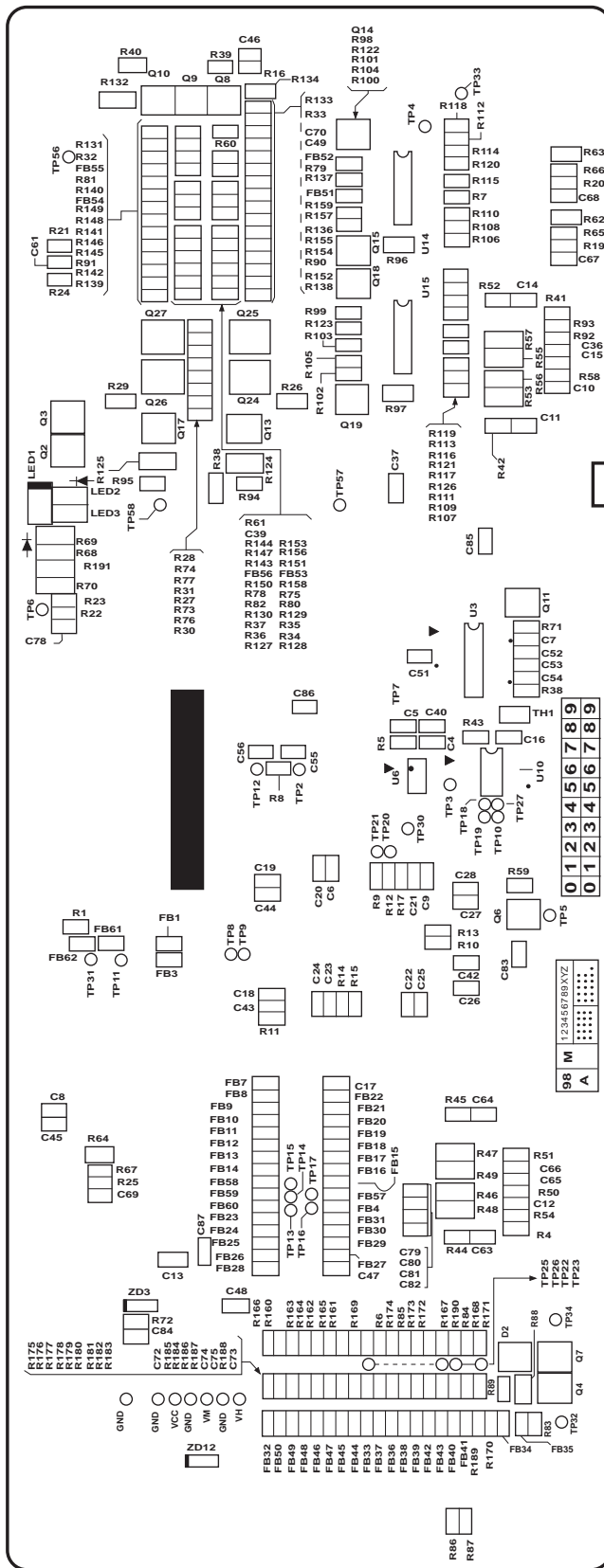


FIGURE & KEY NO.	PART NUMBER	R A N K	Q T Y	DESCRIPTION	REMARKS
11- 1	QG5-0828-020		1	PICK-UP ROLLER UNIT	

FIGURE 12 LOGIC BOARD COMPONENT



Top View



Bottom View

FIGURE & KEY NO.	PART NUMBER	RANK	QTY	DESCRIPTION	REMARKS
12- BZ 1	WR1-5057-000	N	1	BEEPER: PKM13EPY-4000-TF01	
F 1	WD1-0274-000		1	FUSE, 50V 1A	FOR BJC-5000
	WD1-0275-000		1	IC, PROTECT OR: ICP-N38	FOR BJC-5100
F 2	WD1-0274-000		1	FUSE, 50V 1A	FOR BJC-5000
LED 1	WG1-5239-000	N	1	LED: SEC2552C GREEN	
LED 2	QH7-8061-000		1	LED: AY1102W-331 YELLOW	
LED 3	QH7-8061-000		1	LED: AY1102W-331 YELLOW	
PS 1	WG8-5357-000	N	1	IC, EE-SX1128, PHOTO INTERRUPTER	
PS 2	WG8-5255-000	N	1	IC, TLP832, PHOTO INTERRUPTER	
PS 3	WG8-5255-000	N	1	IC, TLP832, PHOTO INTERRUPTER	
S 1	WC2-5329-000	N	1	SWITCH, PUSH: KSH0636AT	
S 2	WC2-5329-000	N	1	SWITCH, PUSH: KSH0636AT	
TH 1	WP2-5080-000	N	1	THERMISTOR: NTCCM20124AG473HC	
U 2	QH8-9004-030		1	IC, UPD23C8000XCZ-196, MASKED-ROM	FOR BJC-5000
	QH8-9009-000		1	IC, UPD23C8000XCZ-220, MASKED-ROM	FOR BJC-5100
	WA9-5319-000	N	1	SOCKET, IC, 42P	
U 3	WA3-6298-000	N	1	IC, HD74HC4053FP, C-MOS	
U 5	WA4-6641-000		1	IC, L6219DS, DRIVER	FOR BJC-5000
	WA4-7049-000	N	1	IC, MTD2007F, MOTOR DRIVER	FOR BJC-5100
U 6	WA3-6426-000	N	1	IC, PST592EMT	
U 9	WA4-6641-000		1	IC, L6219DS, DRIVER	FOR BJC-5000
	WA4-7049-000	N	1	IC, MTD2007F, MOTOR DRIVER	FOR BJC-5100
U 10	WA3-8448-000		1	IC, AT93C46R-10SC, EEP-ROM	
U 11	WA3-6255-000	N	1	IC, UPD424260LE-70, DRAM	FOR BJC-5100
	WA7-0253-000	N	1	IC, MSM514260C-70, DRAM	FOR BJC-5000
U 12	QH8-9002-000		1	IC, MPU & PRINTER CONTROLLER	
U 14	WA4-5086-000	N	1	IC, HA17324FEL, OP AMP	FOR BJC-5000
	WA4-6376-000	N	1	IC, BA10324AF, OPE AMP	FOR BJC-5100
U 15	WA4-5086-000	N	1	IC, HA17324FEL, OP AMP	FOR BJC-5000
	WA4-6376-000	N	1	IC, BA10324AF, OPE AMP	FOR BJC-5100
X 1	WK2-5628-000	N	1	OSCILLATOR, CERAMIC: 25.0MHZ	

This page intentionally left blank

This page intentionally left blank

D. TOOL

FIGURE 13 TOOL

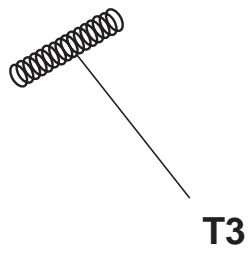
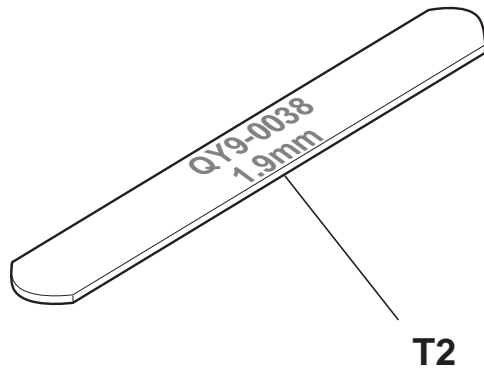
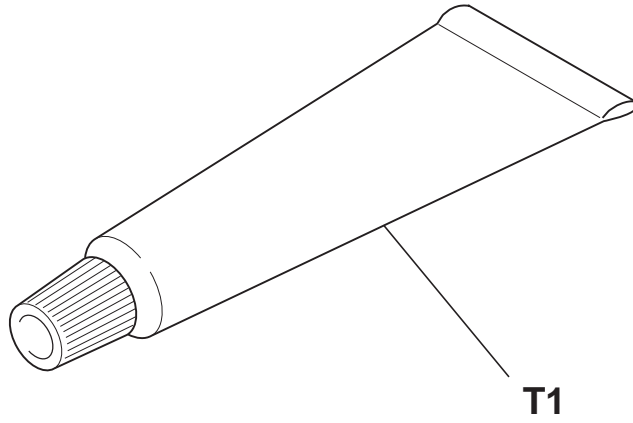


FIGURE & KEY NO.	PART NUMBER	RANK	QTY	DESCRIPTION	REMARKS
T - 1 2 3	CK-0562-000 QY9-0038-000 QY9-0039-000		1 1 1	GREASE, MOLYKOTE PG-641 GUAGE, GAP: 1.9MM SPRING, TENSION	

E. NUMERICAL INDEX

PART NUMBER	FIGURE & KEY NO.	DESCRIPTION
CK-0562-000	T- 1	GREASE, MOLYKOTE PG-641
QA8-0001-000	2- 2	COVER, CONNECTOR
QA8-0004-000	2- 9	LABEL
QA8-0007-000	5- 1	ABSORBER, INK
QA8-0007-010	5- 1	ABSORBER, INK
QA8-0013-000	2- 6	GUIDE, INDICATOR
QA8-0014-000	2- 3	BUTTON, PUSH
QA8-0015-000	2- 4	BAR, BUTTON
QA8-0017-000	2- 8	PLATE, PRODUCT NAME
QA8-0018-000	6- 3	HOLDER, CABLE
QA8-0019-000	6- 2	SHAFT, CARRIAGE
QA8-0020-000	10- 7	FRAME, CARRIAGE GUIDE
QA8-0022-000	10- 6	HOLDER, SHAFT
QA8-0025-000	4- 3	ARM, COVER SENSOR
QA8-0046-000	6- 8	BELT, CARRIAGE
QA8-0048-000	6- 7	HOLDER, BELT
QA8-0066-000	1- 2	GUIDE, PAPER
QA8-0067-000	2- 5	CAP, INDICATOR
QA8-0068-000	9- 3	SPUR
QA8-0073-000	2- 10	LABEL, INK TANK REPLACE
QA8-0077-000	4- 4	CLAMP, CABLE
QA8-0079-000	5- 2	ABSORBER, SUB INK
QA8-0085-000	2- 2	COVER, CONNECTOR
QA8-0088-000	8- 4	LEVER, SENSOR
QA8-0118-000	2- 8	PLATE, MODEL NAME
QA8-0123-000	6- 6	SPACER, PLASTIC
QA8-0125-000	6- 1-1	CLIP, SHAFT(L)
QA8-0126-000	6- 2	SHAFT, CARRIAGE
QA8-8001-000	10- 1	GEAR, SLOW DOWN
QA8-8513-000	9- 4	SHAFT, SPRING
QA8-8514-000	9- 1	SPRING, HOOK END COIL
QA8-9013-000	2- 3	BUTTON, PUSH
QB1-0841-000	9- 5	SPUR
QB1-2406-020	10- 5	HOLDER, SHAFT
QB1-2415-000	6- 1	CLIP, SHAFT
	6- 1-1	
QB1-2441-000	7- 3	DAMPER
QB1-2442-000	7- 4	SLEEVE, SCREW
QB1-2494-000	3- 1	HOLDER, SHEET FEEDER
QF8-0001-000	2- 1	FRONT COVER ASSY
QF8-0001-010	2- 1	FRONT COVER ASSY
QF8-0002-000	2- 7	UPPER COVER ASSY
QF8-0003-000	6- 5	IDLER PULLEY ASSY
QF8-0015-000	2- 7	UPPER COVER ASSY
QG5-0828-020	11- 1	PICK-UP ROLLER UNIT
QG8-0001-000	4- 5	BOTTOM CASE UNIT
QG8-0002-000	1- 1	OUTPUT TRAY UNIT
QG8-0005-000	8- 5	STAY UNIT
QG8-0007-000	9- 2	WIPER UNIT
QG8-0008-000	6- 4	CARRIAGE UNIT
QG8-0010-000	10- 2	PLATEN UNIT
QG8-0011-000	8- 1	PURGE UNIT
QG8-0011-010	8- 1	PURGE UNIT
QG8-0015-000	3- 2	SHEET FEEDER UNIT
QG8-0022-000	10- 2	PLATEN UNIT
QG8-0023-000	4- 5	BOTTOM CASE UNIT
QG8-0027-000	7- 1	FEED MOTOR UNIT
QG8-8002-020	4- 2	LOGIC BOARD ASSY

PART NUMBER	FIGURE & KEY NO.	DESCRIPTION
QG8-8011-000	4- 2	LOGIC BOARD ASSY
QG8-9001-000	8- 5	STAY UNIT
QG8-9002-000	6- 4	CARRIAGE UNIT
QG8-9003-000	3- 2	SHEET FEEDER UNIT
QH2-9001-000	8- 2	PG SENSOR CABLE ASSY
QH2-9002-000	4- 1	CABLE, POWER SUPPLY
QH2-9003-000	4- 1	CABLE, POWER SUPPLY
QH3-9001-000	1- 3	AC ADAPTER: 120V 60HZ
QH3-9002-000	1- 3	AC ADAPTER: 120V 60HZ
QH3-9004-000	1- 4	AC ADAPTER: 220-240V 50HZ
QH3-9006-000	1- 3	AC ADAPTER: 100V 50/60HZ
QH4-9001-000	7- 2	MOTOR, CARRIAGE
QH4-9003-000	7- 1	MOTOR, PAPER FEED
QH4-9007-000	7- 2	MOTOR, CARRIAGE
QH7-8061-000	12- LED 2	LED: AY1102W-331 YELLOW
	12- LED 3	
QH8-9002-000	12- U 12	IC, MPU & PRINTER CONTROLLER
QH8-9004-030	12- U 2	IC, UPD23C8000XCZ-196, MASKED-ROM
QH8-9009-000	12- U 2	IC, UPD23C8000XCZ-220, MASKED-ROM
QS5-0040-000	10- 3	GEAR, TRANSMISSION
QS5-2045-000	8- 3	SPRING, HOOK END COIL
QS5-2046-000	10- 4	SPRING, HOOK END COIL
QY9-0038-000	T- 2	GUAGE, GAP: 1.9MM
QY9-0039-000	T- 3	SPRING, TENSION
WA3-6255-000	12- U 11	IC, UPD424260LE-70, DRAM
WA3-6298-000	12- U 3	IC, HD74HC4053FP, C-MOS
WA3-6426-000	12- U 6	IC, PST592EMT
WA3-8448-000	12- U 10	IC, AT93C46R-10SC, EEP-ROM
WA4-5086-000	12- U 14	IC, HA17324FEL, OP AMP
	12- U 15	
WA4-6376-000	12- U 14	IC, BA10324AF, OPE AMP
	12- U 15	
WA4-6641-000	12- U 5	IC, L6219DS, DRIVER
	12- U 9	
WA4-7049-000	12- U 5	IC, MTD2007F, MOTOR DRIVER
	12- U 9	
WA7-0253-000	12- U 11	IC, MSM514260C-70, DRAM
WA9-5319-000	12- U 2	SOCKET, IC, 42P
WC2-5329-000	12- S 1	SWITCH, PUSH: KSH0636AT
	12- S 2	
WD1-0274-000	12- F 1	FUSE, 50V 1A
	12- F 2	
WD1-0275-000	12- F 1	IC, PROTECT OR: ICP-N38
WG1-5239-000	12- LED 1	LED: SEC2552C GREEN
WG8-5255-000	12- PS 2	IC, TLP832, PHOTO INTERRUPTER
	12- PS 3	
WG8-5357-000	12- PS 1	IC, EE-SX1128, PHOTO INTERRUPTER
WK2-5628-000	12- X 1	OSCILLATOR, CERAMIC: 25.0MHZ
WP2-5080-000	12- TH 1	THERMISTOR: NTCCM20124AG473HC
WR1-5057-000	12- BZ 1	BEEPER: PKM13EPY-4000-TF01
WT3-5060-000	1- 7	CORD, POWER
WT3-5061-000	1- 6	CORD, POWER
WT3-5069-000	1- 5	CORD, POWER
WT3-5084-000	1- 8	CORD, POWER
XA9-0693-000	S- 4	SCREW, TP, M3x4
XB1-2301-207	S- 2	SCREW, M3x12
XB4-7401-009	S- 3	SCREW, TAP BINDING HEAD M4x10
XB6-7300-607	S- 1	SCREW, TP: M3 x 6 MM

PART NUMBER	FIGURE & KEY NO.	DESCRIPTION
XB6-7300-807	S - 5	SCREW, MACHINE, WASHER HEAD, M3x8



The printing paper contains
70% waste paper.

Canon